

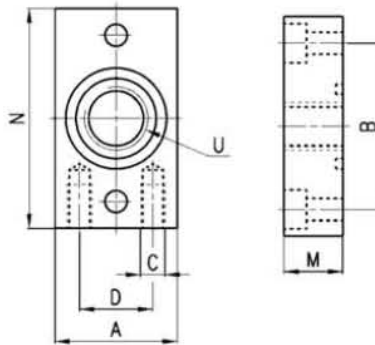
NORTH AMERICAN FRL CATALOG > Release 8.2

2

Mounting Brackets, Accessories and Kits - Series MC

Terminal flanges Series MC (Kit A)

End-plate flanges left & right (complete with 4 screws and 2 O-Ring)



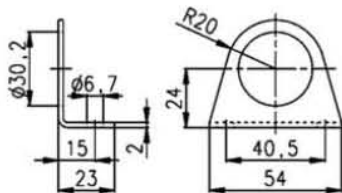
DIMENSIONS (in mm)

Mod.	A	B	C	D	N	M	U	size
MC104-FL	25	34	M5	15	45	12	G1/4	1
MC238-FL	35	44.5	M5	20	60	14	G3/8	2
MC202-FL	35	44.5	M5	20	60	14	G1/2	2
MC104-FLTF	25	34	M5	15	45	12	1/4" NPTF	
MC238-FLTF	35	44.5	M5	20	60	14	3/8" NPTF	
MC202-FLTF	35	44.5	M5	20	60	14	1/2" NPTF	

MODULAR FRL SERIES MC

Mounting bracket, Series MC - M - N

Mounting bracket Regulators and Filter-Regulators (1/4 - 1/8)

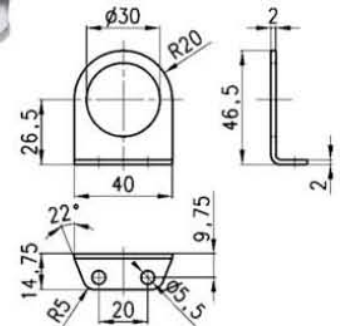


Mod. (dimensions in mm)

C114-ST

Mounting bracket Series MC - M - N

Mounting bracket Regulators and Filter-Regulators (1/4 - 1/8)

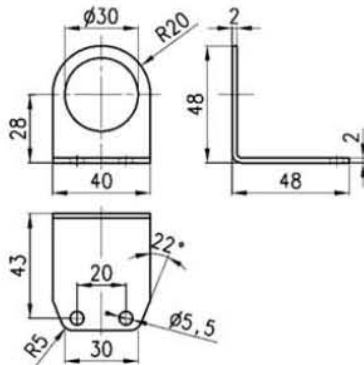


Mod. (dimensions in mm)

C114-ST/1

Mounting bracket, Series MC - M - N

Mounting bracket Regulators and Filter-Regulators (1/4 - 1/8)

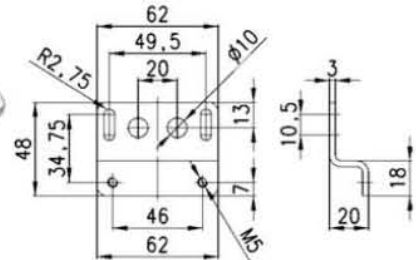


Mod. (dimensions in mm)

C114-ST/2

Mounting bracket, Series MC

Mounting bracket Regulators, Filter-Regulators, Filters, and Lubricators (for MC238 and MC202) complete with N° 2 screws

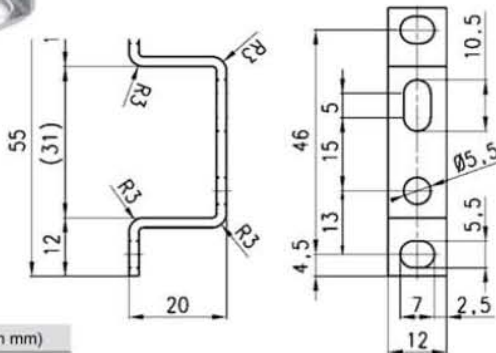


Mod. (dimensions in mm)

C238-ST/1

Mounting bracket Series MC (Kit B)

2 Mounting bracket for end-plate kits 1/4, 3/8, 1/2 (complete with 4 screws M5)

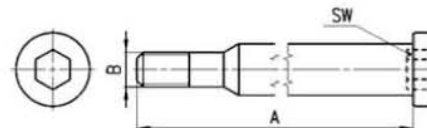


Mod. (Dimensions in mm)

MC104-ST

Screw for assembling, Series MC (Kit E)

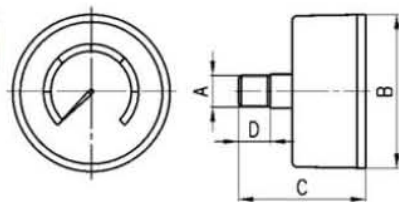
(complete with 2 screws and 1 O-Ring)



Mod. (Dimensions in mm)

Mod.	A	B	SW	size
MC1-VM	42.5	M4	4	1
MC2-VM	59.5	M5	4	2

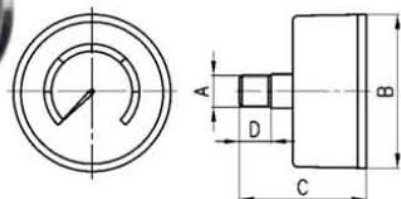
Pressure gauges Mod. M043-P04TF (0 - 60 psi)



DIMENSIONS (in inches)

Mod.	A	B	C	D
M043-P04TF	1/8" NPTF	0.950	1.600	1.614

Pressure gauges Mod. M043-P10TF (0 - 160 psi)



DIMENSIONS (in inches)

Mod.	A	B	C	D
M043-P10TF	1/8" NPTF	0.950	1.600	1.614

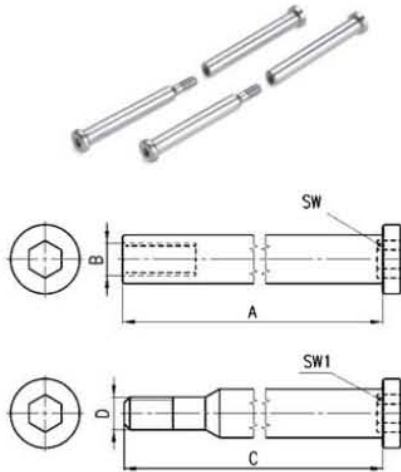
NORTH AMERICAN FRL CATALOG > Release 8.2

2

MODULAR FRL SERIES MC

Screw for assembling, Series MC (Kit F)

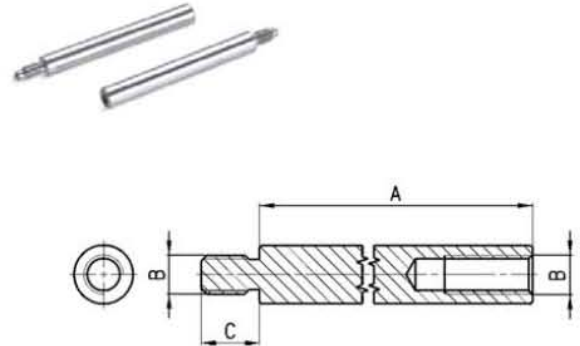
(complete with 2 male screws, 2 female screws and 1 O-Ring)



Mod. (dimensions in mm)	A	B	C	D	SW	SW1	size
MC1-VMF	42	M4	42.5	M4	4	4	1
MC2-VMF	59	M5	59.5	M5	4	4	2

Tie-rod for assembling, Series MC (Kit C)

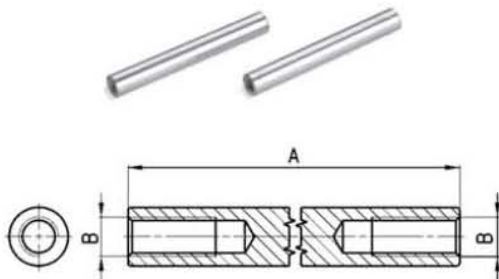
Male - female tie-rods
(complete with 2 tie-rods and 1 O-Ring)



Mod. (dimensions in mm)	A	B	SW	size
MC1-TMF	45	M4	6	1
MC2-TMF	62	M5	6	2

Tie-rod for assembling, Series MC (Kit D)

female tie-rods
N° 2 tie-rods



Mod. (Dimensions in mm)	A	B	size
MC1-TFF	44	M4	1
MC2-TFF	61	M5	2

Assembly O-ring, Series C - MC

Assembly O-ring F-R-L-D
for C401 mod. **C401-F33** (OR 3150)
for MC104 mod. **458-33/1** (OR 2068)
for MC238 and MC202 mod. **80-26-11/4T**
(OR 3100)
(spare part only).



Tie-rod for assembling, Series MC (Kit G)

4 screws - 4 washers/spacers - 2 o-rings

** See example at right. KIT "G" is to be used whenever there is a second regulator or filter-regulator in the same common assembly. KIT "G" allows the component to the left of the second regulator to be assembled onto the second regulator on its right side and also back into the component or tie-rod KIT to its left side. You must remove the outer plastic shell or cover of that middle component in order to assemble the bushings and cap-screws of Kit "G" both to the left and right.

Mod. (Dimensions in mm)	A	B	size
MC1-VMD	10	M4	1
MC2-VMD	12	M5	2

